



CONCRETE BOOM PUMPS

# 15 Z3

## SPIDER BOOM SPECIFICATIONS

✉ [sales@nexenboompumps.com.au](mailto:sales@nexenboompumps.com.au)

☎ 0419 672 015 | 0418 799 868

[WWW.NEXENBOOMPUMPS.COM.AU](http://WWW.NEXENBOOMPUMPS.COM.AU)



# 15 Z3

NXCP1250-15Z3

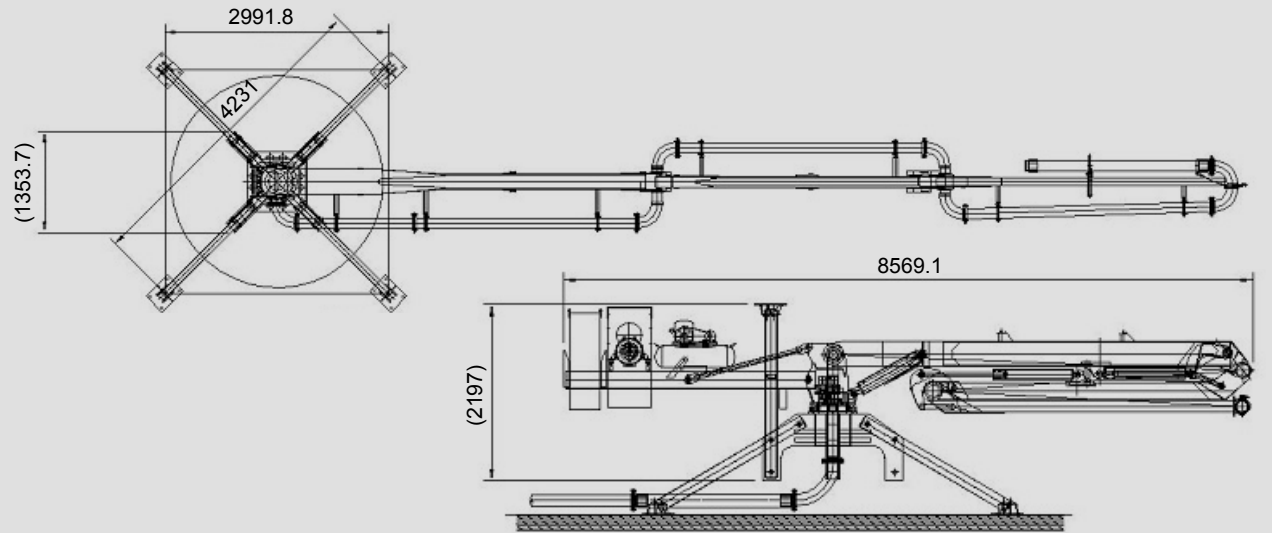
## Spider Specifications

Chassis	Free standing
Vehicle weight	4250 kg
Overall length	8569 mm
Overall width	2991 mm
Overall setup height	2197 mm
Legs	Fold away

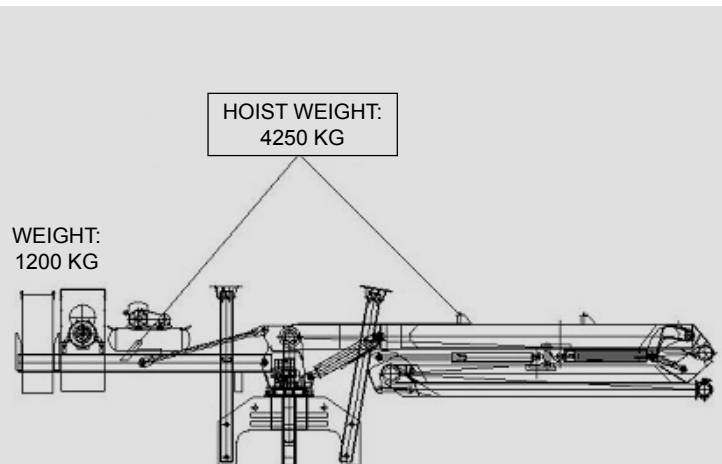
## Boom

Section type	3 stage z fold
Vertical reach	14.8 m
Horizontal reach	12.8 m
Pipe line diameter	125 mm (5")
Boom rotation ( $\alpha^\circ$ )	Continuous swing
Unfolding height	3860 m
Front outrigger	2991.8 m
Rear outrigger	2991.8 m

MODEL: NXCP1250-15Z3



MODEL: NXCP1250-15Z3



WORKING RANGE

